



[Homepage](#) > [Products](#) > [RFID Antennas](#) > [Near Field Antenna](#) > **865-870MHz**

865-870MHZ

MT-249568/NRH
865-870 MHZ RFID NEAR FIELD FLAT PANEL ANTENNA



ELECTRICAL

ANTENNA TYPE	Magnetic Field Antenna
REGULATORY COMPLIANCE	RoHS, CE 0682
FREQUENCY RANGE	865-870 MHz
VSWR	2.0 : 1 (max)
POLARIZATION	CP
POWER	2W (max)
INPUT IMPEDANCE	50 Ω

MECHANICAL

DIMENSIONS (LxWxD)	191 x 191 x 30 mm (max)
CONNECTOR	N-Type Female
WEIGHT	0.6 kg (max)
RADOME MATERIAL	Plastic UV Resistant per ETSI 300
BASE PLATE MATERIAL	Aluminum with chemical conversion coating
OUTLINE DRAWING	RD42341000C
READER TYPE	(*)
TAG ORIENTAION	Any
TAG TYPE	Satellite, Neptune ,Button
TEST POWER	1 W

[ADD TO COMPARE PAGE](#) [TO COMPARE PAGE](#)

ENVIRONMENTAL

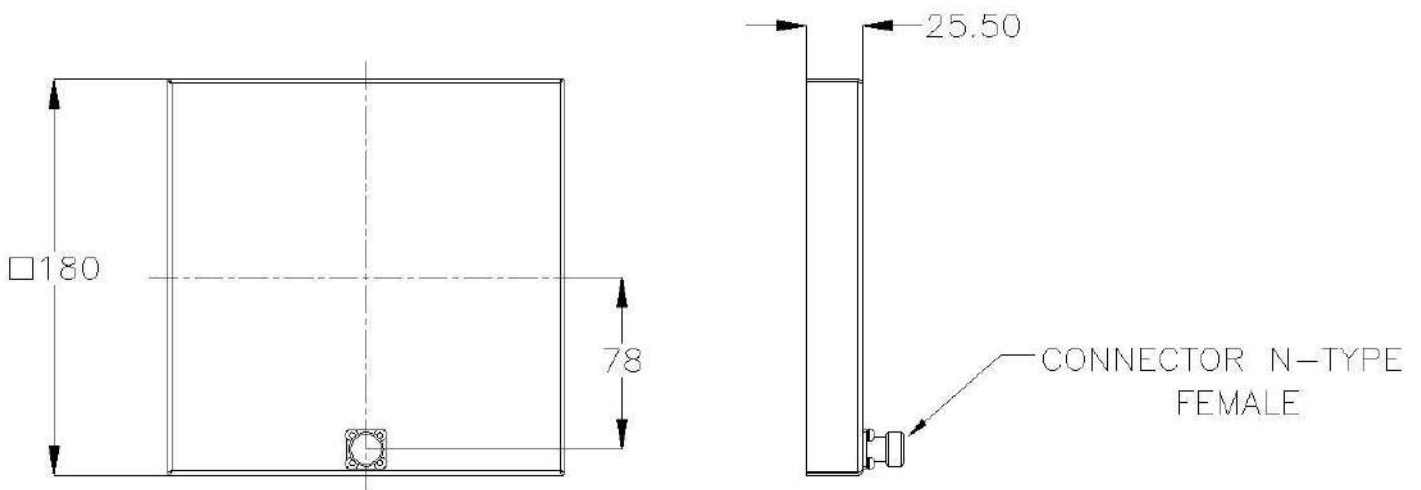
TEST	STANDARD	DURATION	TEMPERTURE	NOTES
LOW TEMPERATURE	IEC 68-2-1	72 h	-30°C	
HIGH TEMPERATURE	IEC 68-2-2	72 h	+55°C	

TEMP. CYCLING	IEC 68-2-14	1 h	-30°C +55°C	3 Cycles
VIBRATION	IEC 60721-3-4	30 min/axis		Random4M3
SHOCK MECHANICAL	IEC 60721-3-4			4M3
HUMIDITY	ETSI EN300-2-4 T4.1E	144 h		95%
WATER TIGHTNESS	IEC 529			IP50
DUST RESUSTANCE	IEC 529			IP50
FLAMMABILITY	UL 94			Class HB

* The antenna has been tested with Impinji Speedway Reader to evaluate the antennas.
The antenna performance can be changed when using another type of reader.

READ COVERAGE

TAG	100%	50-99%	0-49%
SATELITE	0-400 mm	400-500 mm	N/A
NEPTUNE	0-10mm	10-30 mm	30-50mm



WAIVER!

While the information contained in this document has been carefully compiled to the best of our present knowledge, it is not intended as presentation or warranty of any kind on our part regarding the fitness of the products concerned for any particular use or purpose and neither shall any statement contained herein be construed as a recommendation to infringe any industrial property rights or as a license to use any such rights. The fitness of each product for any particular purpose must be checked beforehand with our specialists.